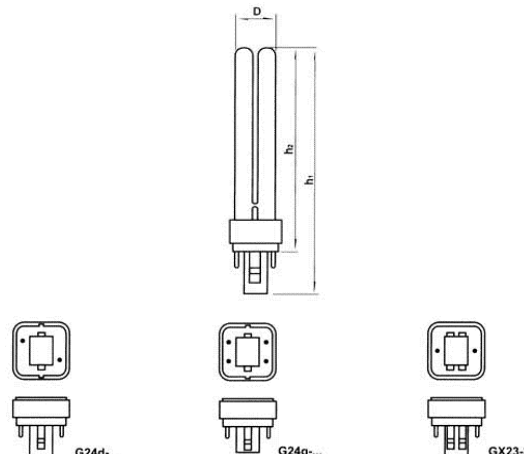
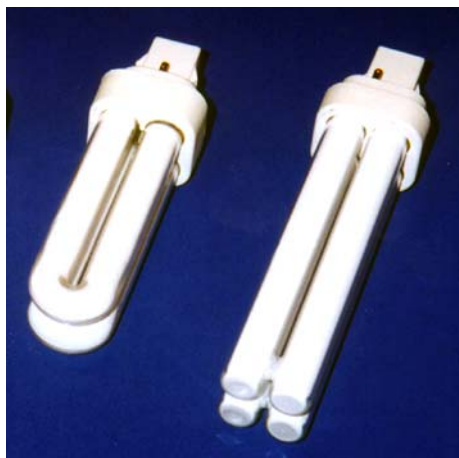
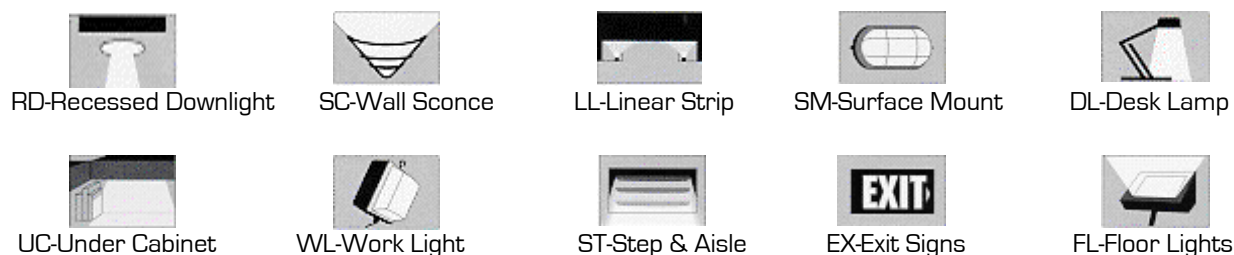


PL-C (2 & 4 pins) Compact Fluorescent Lamp 13DBX/CF13DD/CFQ13)



Applications:



Ideal for:

Offices	Retail	Corridors/Stairwells	Lobbies/Atriums	Hotel Rooms
Airport/Train Stations		Coves/Valences	Building Facades	Work Stations
Walkways/Courtyards		Parking Garages	Conversion Kits	Screw Adapter

Type	Nominal Watt(W)	Luminous Flux(Lm)	Rendering index(Ra)	Color Temp.(K)	Rated Ave. life(h)	Lamp Base	Dimensions(mm)				Std. Pkg. CTN(pcs)
							d	h1	h2	D	
PL-C9W	9	600	82	2700 ↓	10000	G23-2	12	97	78	27	200(25x4)
PL-C13W	13	900	82	3000 ↓ 3500 ↓		GX23-2, G24Q-1	12	117	96	27	200(25x4)
PL-C18W	18	1200	82	4200 ↓		G24d, q	12	163	142	27	200(25x4)
PL-C26W	26	1800	82	6400		G24d, q	12	173	162	27	200(25x4)

- Lamp life defined according to international standard
- Other than common color temperatures may need special order